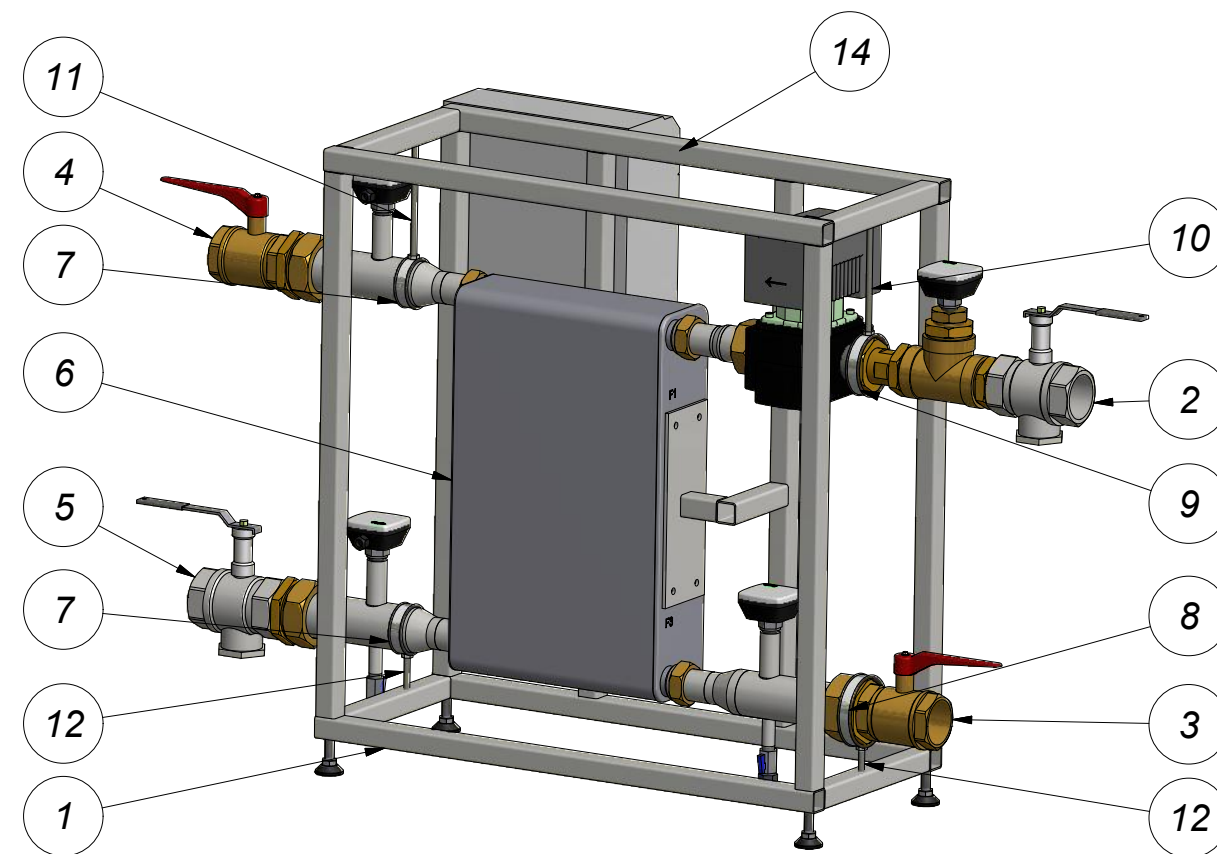
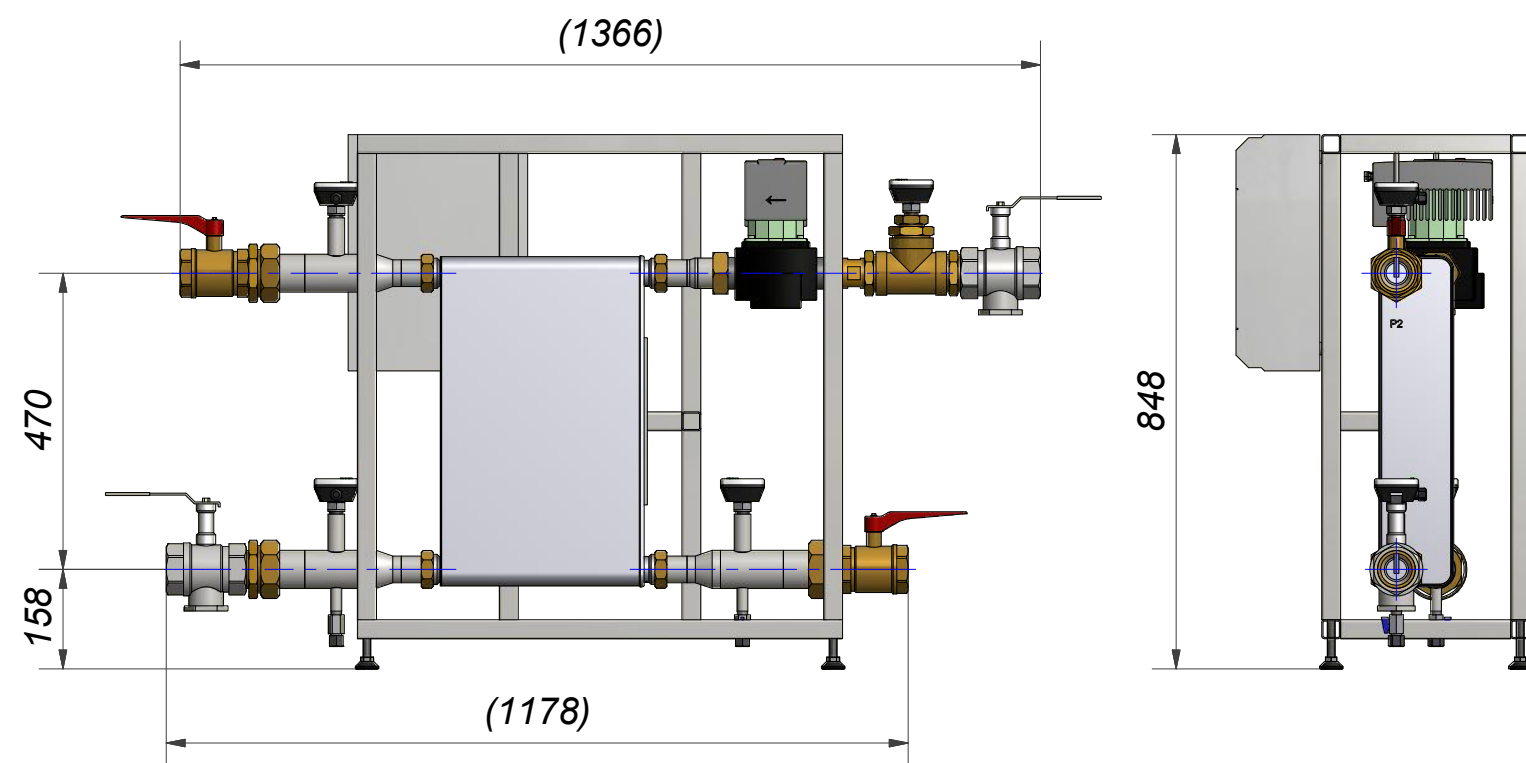
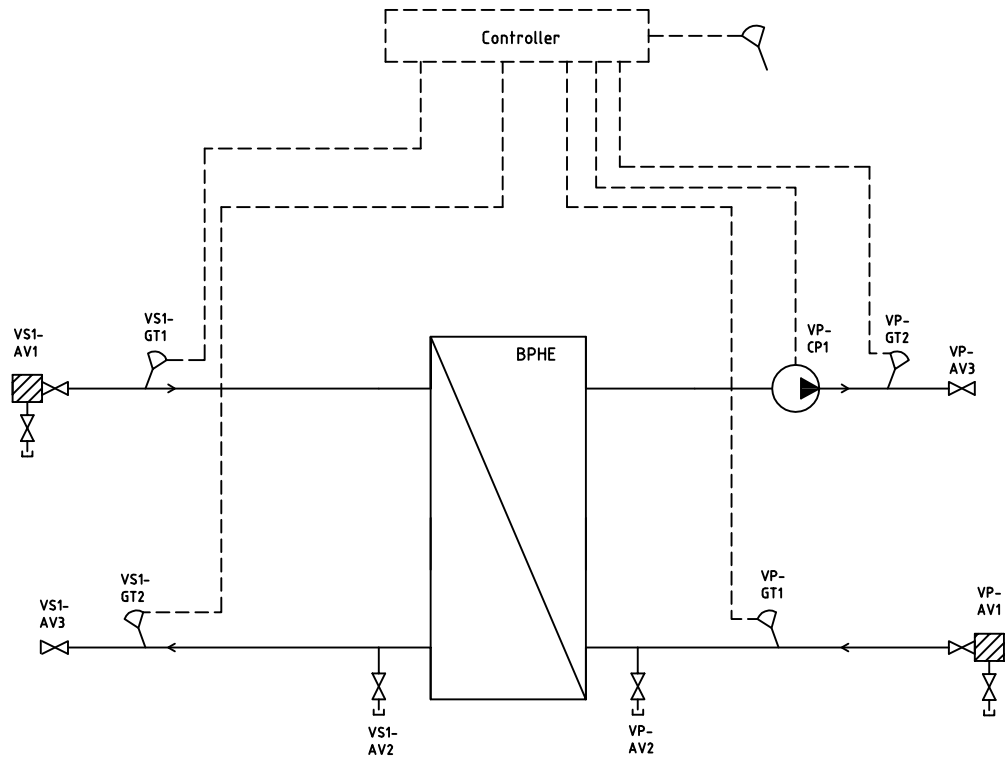


Rev No	Alteration	Date	Checked	Approved
01	Drawing approved	6. 7. 2016	sksm	PDM



14	1	Cabinet	-	Rutab CT24NS 375x285x136
13	4	Leveling foot	MecMove	SF 37 M12x80
12	2	Threaded bar	-	Threaded bar M8 L50
11	1	Threaded bar	-	Threaded bar M8 L170
10	1	Threaded bar	-	Threaded bar M8 L150
9	1	Pipe holder DN65 M8	-	Pipe holder DN65 M8, 3809384
8	1	Pipe holder DN80 M8	-	Pipe holder DN80 M8, 3809385
7	2	Pipe holder DN50 M8	-	Pipe holder DN50 M8, 3809381
6	1	Heat exchanger	Swep	B28Hx140 1P-SC-S F 2x1 1-2 P 2x 1 1-2
5	1	KA001959	-	KA001959
4	1	KA001958	-	KA001958
3	1	KA001957	-	KA001957
2	1	KA001956	-	KA001956
1	1	Frame PCU	Swep	KA001949

Item	QTY	Description	Vendor	Drawing / Article
Drawn	Checked	Approved	Created Date	General geometrical tolerancing ISO 2768:
sksm	PDM	PDM	2016-01-08	General surface finish R_a
Scale - Paper size A3				
		Bosch PCU 45kW		
A DOVER COMPANY		Article number	Design Type	Drawing number
		FA	KA001955	Revision 01
				Sheet 1 (1)



© Company Confidential, Property Of SWEP International AB

Drawn SKSM	Checked LAEW	Approved LAEW	Date 2016-05-11	General geometrical tolerancing ISO 2768: -	General surface finish R_a -		Scale 1:1
			Title Flow chart Bosch PCU 25kW				
			Article number -	Drawing number KB000331	Revision 2	Sheet 1(1)	